

PARTS LIST

[KD-S9R]

* All printed circuit boards and its assemblies are not available as service parts.

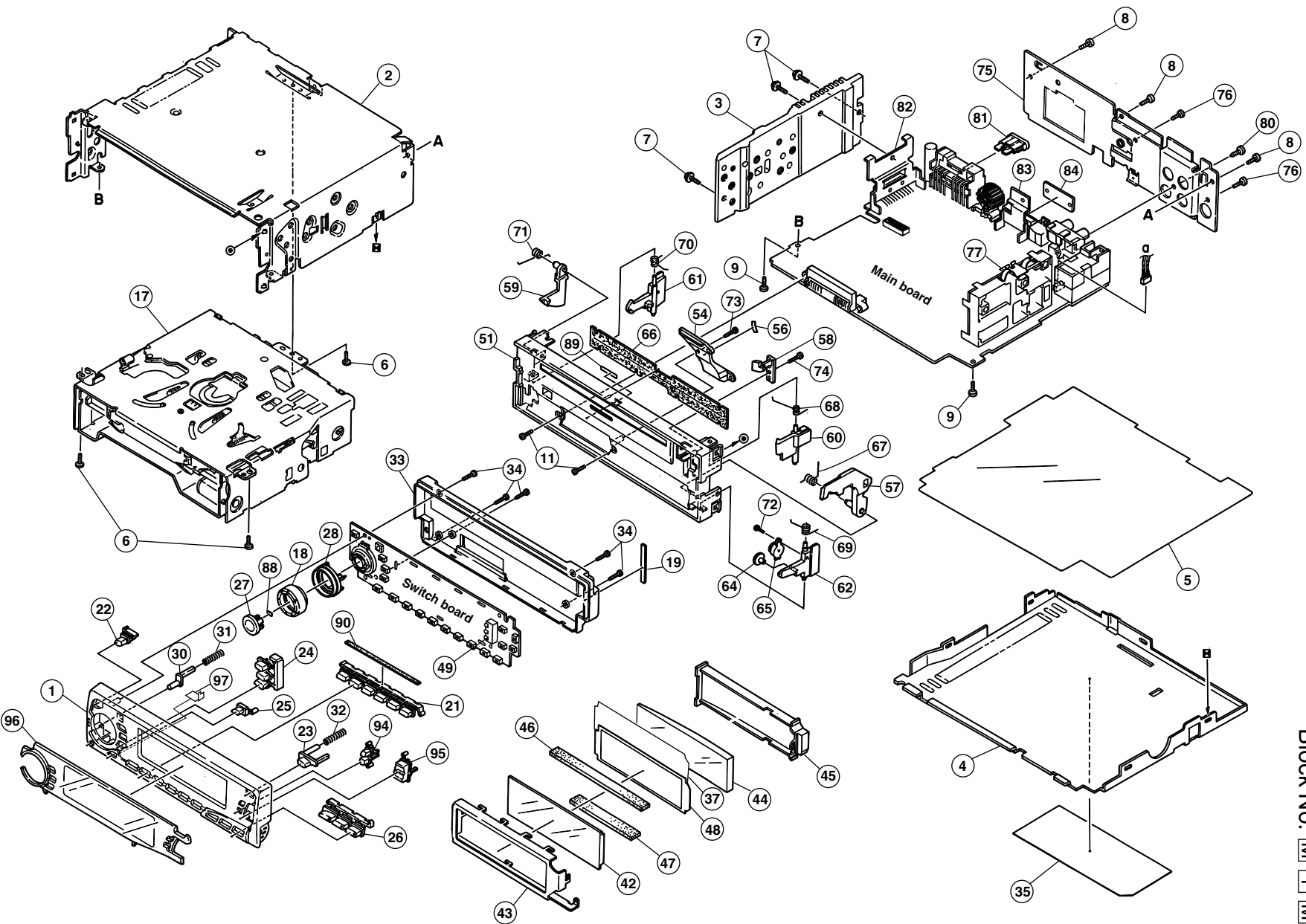
Area suffix
E ----- Continental Europe

- Contents -

Exploded view of general assembly and parts list	3-2
CD mechanism assembly and parts list	3-5
Electrical parts list	3-8
Packing materials and accessories parts list	3-14

Exploded view of general assembly and parts list

Block No. M 1 M M



Parts list (General assembly)

Block No. M1MM

△	Item	Parts number	Parts name	Q'ty	Description	Area
	1	FSJC1058-001	FRONT PANEL	1		
	2	FSJC1029-404	TOP CHASSIS	1	FOR KD AND ISO	
	3	FSMH3001-204	SIDE PANEL	1		
	4	FSKM3011-002	BOTTOM COVER	1		
	5	FSMA3005-001	INSULATOR	1		
	6	QYSDST2604Z	SCREW	3	CHASSIS+CD MECHA	
	7	FSKZ4005-001	SCREW	3	CHASSIS+SIDE PANEL	
	8	QYSDST2604Z	SCREW	3	CHASSIS+REAR BKT	
	9	QYSDST2606Z	SCREW	2	CHASSIS+MAIN PWB	
	11	QYSDSF2006M	SCREW	2	F,CHASSIS+CONECTER	
	17	-----	CD MECHA	1		
	18	FSXK3003-005	VOL.KNOB	1	JOG DIAL	
	19	FSYH4036-035	SHEET	1	SLIDING SHEET	
	21	FSXP2045-012	PRESET BUTTON	1	1-6 LASER CUT	
	22	FSXP3053-002	POWER BUTTON	1		
	23	FSXP3058-001	EJECT BUTTON	1		
	24	FSXP2041-003	PUSH BUTTON(L)	1	DISP,TP,PTY	
	25	FSXP4006-001	SCM BUTTON	1		
	26	FSXP2038-003	D.FUNC CAP	1	AM/FM/CD	
	27	FSXP3061-001	SEL BUTTON	1		
	28	FSJK3027-001	RIM LENS	1	FOR KNOB	
	30	FSXP3059-001	DETACH BUTTON	1		
	31	VKW3001-330	COMP.SPRING	1	FOR DETACH BUTTON	
	32	VKW3001-330	COMP.SPRING	1	FOR EJECT BUTTON	
	33	FSJC1059-001	REAR COVER	1		
	34	VKZ4777-001	MINI SCREW	5	FRONT+SW.PWB	
	35	GE30118-002A	NAME PLATE	1	FOR MP USE	
	37	FSYH4061-002	LIGHTING SHEET	1		
	42	QLD0147-001	LCD MODULE	1		
	43	FSYH3024-001	LCD CASE	1		
	44	FSJK3028-001	LCD LENS	1		
	45	FSKS3013-001	LENS CASE	1		
	46	QNZ0449-001	RUBBER CONNECTO	1		
	47	QNZ0450-001	RUBBER CONNECTO	1		
	48	FSYH4061-001	LIGHTNG SHEET	1		
	49	FSKS3017-002	LED HOLDER	1		
	51	FSJC1061-002	FRONT CHASSIS	1		
	54	VJK3709-002	LIGHT LENS	1		
	56	FSYH4036-055	SHEET	1	FOR LIGHT LENS	
	57	FSKS3014-001	OPEN LEVER	1		
	58	FSKS3015-001	LOCK LEVER(O.L)	1		
	59	VKS3794-003	LOCK LEVER(L)	1		
	60	VKS3793-001	LOCK LEVER(TOP)	1		
	61	VKS3798-002	RELEASE LEVER	1		
	62	VKS3795-002	LOCK LEVER(R)	1		
	64	VKS5563-001	GEAR	1		
	65	VKZ4786-002	OIL DAMPER	1		
	66	VYTA526-002	BLIND	1		

■ Parts list (General assembly)

Block No. M1MM

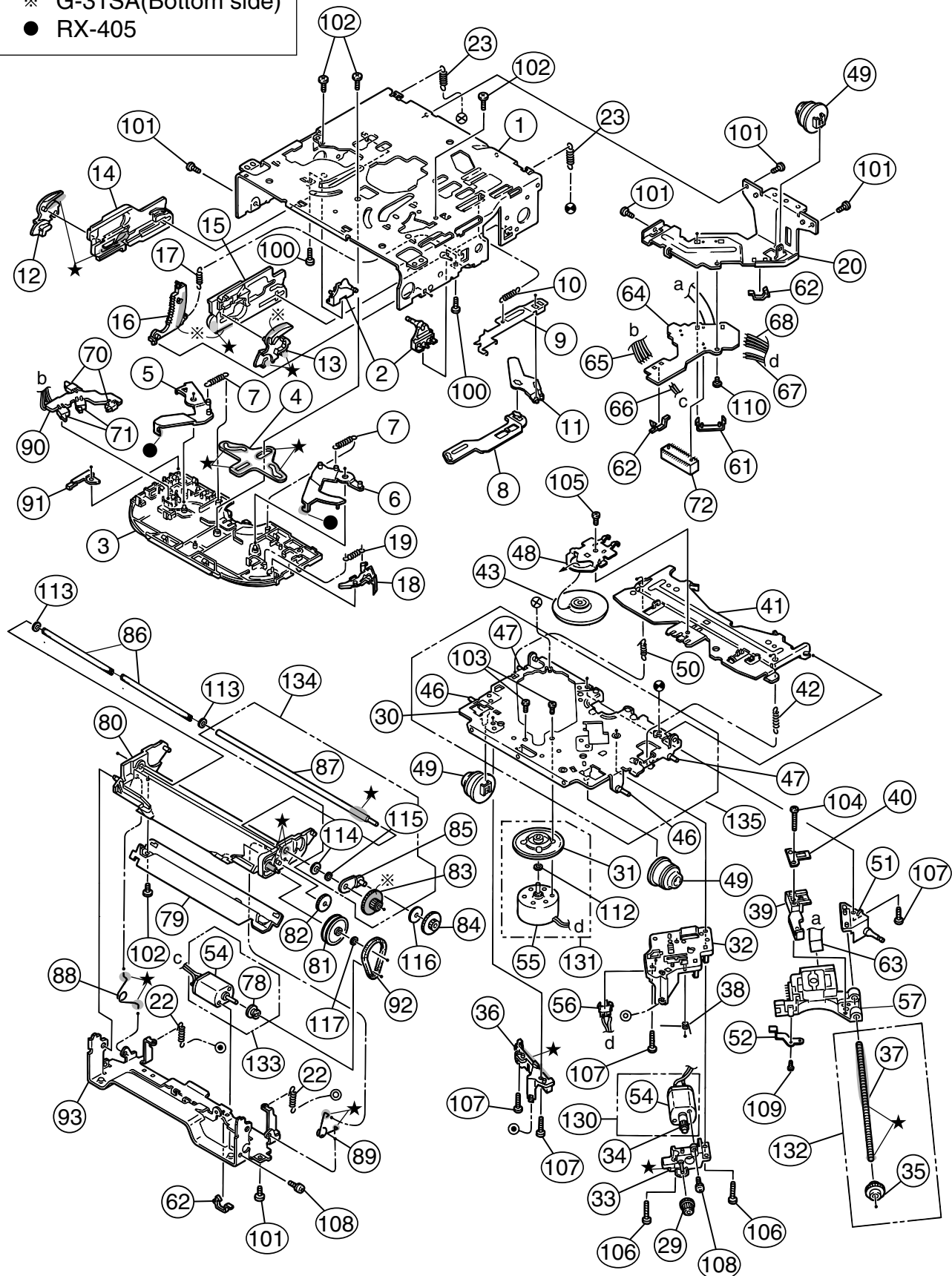
⚠	Item	Parts number	Parts name	Q'ty	Description	Area
	67	FSKW4013-002	T.SPRING	1	FOR OPEN LEVER	
	68	FSKW4012-002	TENSION SPRING	1	FOR L.LEVER(TOP)	
	69	VKW5262-001	T.SPRING	1	FOR L.LEVER(R)	
	70	VKW5264-005	T.SPRING	1	FOR RELEASE LEVER	
	71	VKW5263-002	T.SPRING	1	FOR L.LEVER(L)	
	72	QYSDSF2006M	SCREW	1	DAMPER+L.LEVER(R)	
	73	VKZ4777-001	MINI SCREW	1	F.CHASSIS +LENS	
	74	VKZ4777-001	MINI SCREW	1	LOCK LEVER(O.L.)	
	75	FSKM3012-015	REAR BRACKET	1		
	76	QYSDST2606Z	SCREW	2	REG.BRK ANT	
	77	VMA4652-001SS	EARTH PLATE	1		
	80	QYSDSF3006Z	SCREW	1	PIN	
⚠	81	QMFZ021-150-J1	FUSE	1		
	82	FSKL4024-001	IC BRACKET	1		
	83	FSKL4015-002	REG BRACKET	1		
	84	FSKL4014-002	HEAT SINK	1		
	88	FSYH4036-032	SHEET	1		
	89	FSYH4036-056	SHEET	1		
	90	FSYH4036-031	SHEET	1	PRESET BUTTON	
	94	FSXP3062-001	PUSH BUTTON(R)	1	MO/RND,RPT	
	95	FSXP2043-001	UP DOWN BUTTON	1		
	96	FSJD3024-01L	FINDER ASSY	1		
	97	GE40112-001A	LIGHT COVER	1		

CD mechanism assembly and parts list

Block No. M 2 M M

Grease

- ★ G-31SA
- ※ G-31SA(Bottom side)
- RX-405



■ Parts list (CD mechanism)

Block No. M2MM

△	Item	Parts number	Parts name	Q'ty	Description	Area
	1	30310101T	FRAME	1		
	2	30310103T	DANPER PIN	2		
	3	30310107T	UPPER PLATE	1		
	4	30310108T	SEL STOP PLATE	1		
	5	30310142T	SEL ARM (L)L	1		
	6	30310143T	SEL ARM (R)L	1		
	7	30310145T	S ARM SPRING(L)	2		
	8	30310112T	TRIG LEVER	1		
	9	30310155T	TRIG PL(Z)	1		
	10	30310115T	TRIG PL SPRING	1		
	11	30310116T	TRIG ARM	1		
	12	30310134T	FIX ARM (L)B	1		
	13	30310159T	FIX ARM (R)Z	1		
	14	30310150T	FIX PL (L)Z	1		
	15	30310156T	FIX PL (R) Z	1		
	16	30310138T	LDG GR (6)B	1		
	17	30310122T	LDG GEAR (6)SP	1		
	18	30310148T	S.L ARM(N)	1		
	19	30310125T	S.L ARM SPRING	1		
	20	30310149T	REAR DAM BKT(Z)	1		
	22	30310151T	HUNG UP SP (FZ)	2		
	23	30310129T	HUNG UP SP (R)	2		
	29	30300510T	PU GEAR(B)	1		
	30	-----	T.T.BASE(Z)	1		
	31	-----	TURN TABLE(Z)	1		
	32	30310544T	F.M.BASE(Z)	1		
	33	30310547T	FD GR BLK(Z)	1		
	34	-----	FD GR AZ	1		
	35	-----	FD GR CZ	1		
	36	30310546T	PU GUIDE(Z)	1		
	37	-----	FD SCREW(Z)	1		
	38	30310533T	THRUST SPR(M)	1		
	39	30310548T	PU M NUT(Z)	1		
	40	30310512T	NUT PUSH SPR PLATE	1		
	41	30310558T	CLP ARM(Z)	1		
	42	30310514T	CLP ARM SPRING	1		
	43	30310552T	CLAMPER(Z)	1		
	46	-----	LOCK PIN(FZ)	2		
	47	-----	LOCK PIN(RZ)	2		
	48	30310557T	CLAMPER PLATE(Z)	1		
	49	30310524T	DAMPER (J)	3		
	50	30310525T	CLP ARM SPR (L)	1		
	51	30310545T	F SCREW GUIDE(Z)	1		
	52	30310556T	PU G.SP PLT(Z)	1		
	54	-----	FEED MOTOR	2	FF030PK-09210	
	55	-----	SPINDLE MOTOR	1	RF300CA-11440D	
	56	64180405T	DET SW	1	ESE11SF4	
	57	OPTIMA-720L1	C.D PICK (CAR)	1		

■ Parts list (CD mechanism)

Block No. M2MM

△	Item	Parts number	Parts name	Q'ty	Description	Area
	61	30311035T	FPC HOLDER(Z)	1		
	62	19501403T	WIRE CLAMPER	3		
	63	30311037T	PICK UP FPC(Z)	1		
	64	30311036T	CONNECT.PCB(Z-J)	1		
	65	30311038T	WIRE (5P-Z)	1		
	66	30311039T	WIRE (LD-Z)	1		
	67	30311040T	WIRE (FD-Z)	1		
	68	30311041T	WIRE (RS-Z)	1		
	70	64180402T	DET SWITCH	2	ESE22MH1	
	71	64180403T	DET SWITCH	2	ESE22MH3	
	72	68150232T	CONNECTOR	1	TKC-W26X-C1	
	78	-----	LDG PULLEY	1		
	79	30311105T	SOPPORT PLATE	1		
	80	30311138T	GR MT BLK(N)	1		
	81	30311109T	LDG GEAR (2)	1		
	82	30311110T	LDG GEAR (3)	1		
	83	-----	LDG GEAR (4)	1		
	84	30311112T	LDG GEAR (5)	1		
	85	-----	LDG GR ARM	1		
	86	30311136T	LDG ROLLER	2		
	87	-----	LDG RLR SHAFT	1		
	88	30311118T	L.P SPRING (L)	1		
	89	30311119T	L.P SPRING (R)	1		
	90	30311123T	SW PCB	1		
	91	30311124T	SW ACTUATOR	1		
	92	30311129T	LDG BELT	1		
	93	30311140T	FRONT BRKT (J)	1		
	100	9C0620503T	C B TAP SCREW	2	M2X5	
	101	9C2020401T	C SCREW TS.G	5	M2X4	
	102	9C4320403T	C B TAP SCREW	4	M2X4	
	103	9C0117223T	SCREW	2	M1.7X2.2	
	104	9C4217703T	C TAP SCREW S3	1	M1.7X7	
	105	9C0320201T	C TAP SCREW S3	1	M2X2	
	106	9C4920013T	C TAP SCREW S3	2	M2X10	
	107	9C4920603T	C TAP SCREW B3	4	M2X6	
	108	9P0220031T	TAMS SCREW	2	M2X3	
	109	9C0314203T	C TAP SCREW	1	M1.4X2	
	110	9C0420253	C TAP SCREW	1	M2X2.5	
	112	-----	POLY WASHER	1	2.1X3.5X0.3	
	113	9W0330276	NW BLUE	2	2.9X5X0.3	
	114	-----	WAVE WASHER	1		
	115	-----	LUMILAR WASHER	1	2.5X6X0.1	
	116	9W0725030T	LUMILAR WASHER	1	2.3X9.8X0.25	
	117	9W0640030T	WASHER	1	1.4X3.2X0.4	
	130	303105310T	FEED MO ASSY	1	NO.34 54	
	131	303105311T	SPINDLE MO ASSY	1	NO.31 55 112	
	132	303105312T	FEED SCREW ASSY	1	NO.35 37	
	133	303111301T	LDG MOTOR ASSY	1	NO.54 78	
	134	303111302T	ROLLER SHAFT	1	NO.83 85 87	
		303111302T	ROLLER SHAFT	1	NO.114 115	
	135	303105502T	T.T.BASE ASSY	1	NO.30 46 47	

■ Electrical parts list (Main board)

Block No. 01

△	Item	Parts number	Parts name	Remarks	Area	△	Item	Parts number	Parts name	Remarks	Area
	C 1	QEKJ1CM-226Z	E CAPACITOR	22MF 20% 16V			C 191	QEKJ1CM-476Z	E CAPACITOR	47MF 20% 16V	
	C 2	NCB21EK-473X	C CAPACITOR				C 192	QEKJ1AM-107Z	E CAPACITOR	100MF 20% 10V	
	C 3	NCB21HK-103X	C CAPACITOR				C 193	QEKJ1AM-107Z	E CAPACITOR	100MF 20% 10V	
	C 4	QERF1AM-227Z	E CAPACITOR	220MF 20% 10V			C 194	NCB21HK-103X	C CAPACITOR		
	C 5	QEKJ1HM-104Z	E CAPACITOR	.10MF 20% 50V			C 241	QEKJ1HM-105Z	E CAPACITOR	1.0MF 20% 50V	
	C 6	NCB21HK-103X	C CAPACITOR				C 242	QEKJ1CM-226Z	E CAPACITOR	22MF 20% 16V	
	C 31	QEKJ1AM-107Z	E CAPACITOR	100MF 20% 10V			C 243	NCB21EK-473X	C CAPACITOR		
	C 32	NCS21HJ-470X	C CAPACITOR				C 244	QERF1HM-224Z	E CAPACITOR	.22MF 20% 50V	
	C 33	QEKJ0JM-476Z	E CAPACITOR	47MF 20% 6.3V			C 301	QERF1HM-225Z	E CAPACITOR	2.2MF 20% 50V	
	C 34	NCB21EK-473X	C CAPACITOR				C 302	QERF1HM-225Z	E CAPACITOR	2.2MF 20% 50V	
	C 35	NDC21HJ-100X	C CAPACITOR				C 303	NCS21HJ-391X	C CAPACITOR		
	C 36	NDC21HJ-7R0X	C CAPACITOR				C 304	NCS21HJ-391X	C CAPACITOR		
	C 37	NDC21HJ-100X	C CAPACITOR				C 311	QERF1HM-225Z	E CAPACITOR	2.2MF 20% 50V	
	C 38	NCB21HK-102X	C CAPACITOR				C 312	QERF1HM-225Z	E CAPACITOR	2.2MF 20% 50V	
	C 39	NCB21HK-102X	C CAPACITOR				C 313	NCS21HJ-391X	C CAPACITOR		
	C 40	QEKJ1CM-106Z	E CAPACITOR	10MF 20% 16V			C 314	NCS21HJ-391X	C CAPACITOR		
	C 41	NCB21EK-473X	C CAPACITOR				C 315	QERF1CM-475Z	E CAPACITOR	4.7MF 20% 16V	
	C 42	NCB21HK-103X	C CAPACITOR				C 316	QERF1EM-475Z	E CAPACITOR	4.7MF 20% 25V	
	C 43	QFV61HJ-473Z	MF CAPACITOR	.047MF 5% 50V			C 317	QERF1CM-476Z	E CAPACITOR	47MF 20% 16V	
	C 44	NCB21HK-103X	C CAPACITOR				C 318	QEKJ1CM-226Z	E CAPADITOR	22MF 20% 16V	
	C 45	NCB21HK-272X	C CAPACITOR				C 319	NCB21EK-223X	C CAPACITOR		
	C 46	NCB21HK-103X	C CAPACITOR				C 320	NCB21EK-223X	C CAPACITOR		
	C 47	NCB21HK-103X	C CAPACITOR				C 322	NCB21EK-104X	C CAPACITOR		
	C 48	NCB21EK-473X	C CAPACITOR				C 323	NCB21EK-104X	C CAPACITOR		
	C 49	NCB21HK-103X	C CAPACITOR				C 324	NCB21EK-104X	C CAPACITOR		
	C 50	NCS21HJ-101X	C CAPACITOR				C 325	NCB21EK-104X	C CAPACITOR		
	C 51	NCS21HJ-331X	C CAPACITOR				C 341	NCB21EK-473X	C CAPACITOR		
	C 52	NCB21HK-103X	C CAPACITOR				C 501	QERF1AM-227Z	E CAPACITOR	220MF 20% 10V	
	C 53	NCB21EK-472X	C CAPACITOR				C 502	NCB21HK-103X	C CAPACITOR		
	C 54	NCB21EK-104X	C CAPACITOR				C 503	QERF1CM-226Z	E CAPACITOR	22MF 20% 16V	
	C 55	QEKJ1HM-474Z	E CAPACITOR	.47MF 20% 50V			C 521	NCB21HK-103X	C CAPACITOR		
	C 71	NCS21HJ-561X	C CAPACITOR				C 522	NCB21HK-103X	C CAPACITOR		
	C 72	NCB21EK-223X	C CAPACITOR				C 523	NCB21HK-103X	C CAPACITOR		
	C 73	QERF1HM-225Z	E CAPACITOR	2.2MF 20% 50V			C 524	QEKJ0JM-107Z	E CAPACITOR	100MF 20% 6.3V	
	C 74	NDC21HJ-820X	C CAPACITOR				C 525	NCB21HK-103X	C CAPACITOR		
	C 75	NDC21HJ-470X	C CAPACITOR				C 526	QEKJ0JM-107Z	E CAPACITOR	100MF 20% 6.3V	
	C 76	NCB21HK-103X	C CAPACITOR				C 527	QERF0JM-107Z	E CAPACITOR	100MF 20% 6.3V	
	C 77	QERF0JM-476Z	E CAPACITOR	47MF 20% 6.3V			C 528	NCS21HJ-101X	C CAPACITOR		
	C 81	QERF1HM-105Z	E CAPACITOR	1.0MF 20% 50V			C 529	NCB21HK-103X	C CAPACITOR		
	C 82	NCB21HK-821X	C CAPACITOR				C 530	QERF0JM-107Z	E CAPACITOR	100MF 20% 6.3V	
	C 83	NCB21EK-104X	C CAPACITOR				C 531	NCB21EK-104X	C CAPACITOR		
	C 84	NCB21HK-153X	C CAPACITOR				C 532	NCB21EK-104X	C CAPACITOR		
	C 91	QERF1HM-105Z	E CAPACITOR	1.0MF 20% 50V			C 533	NDC21HJ-560X	C CAPACITOR		
	C 92	NCB21HK-821X	C CAPACITOR				C 541	QEKJ0JM-107Z	E CAPACITOR	100MF 20% 6.3V	
	C 94	NCB21HK-153X	C CAPACITOR				C 542	NCB21HK-103X	C CAPACITOR		
	C 161	QEKJ1HM-105Z	E CAPACITOR	1.0MF 20% 50V			C 543	QEKJ1HM-105Z	E CAPACITOR	1.0MF 20% 50V	
	C 162	QEKJ1HM-105Z	E CAPACITOR	1.0MF 20% 50V			C 544	QEKJ0JM-107Z	E CAPACITOR	100MF 20% 6.3V	
	C 164	NCB21HK-822X	C CAPACITOR				C 545	NCB21HK-103X	C CAPACITOR		
	C 165	NCB21CK-154X	C CAPACITOR				C 546	QEKJ0JM-107Z	E CAPACITOR	100MF 20% 6.3V	
	C 166	NCB21CK-224X	C CAPACITOR				C 547	NCS21HJ-470X	C CAPACITOR		
	C 167	NCB21HK-333X	C CAPACITOR				C 548	NCB21HK-153X	C CAPACITOR		
	C 168	NCB21HK-562X	C CAPACITOR				C 549	QERF0JM-107Z	E CAPACITOR	100MF 20% 6.3V	
	C 169	QEKJ1EM-475Z	E CAPACITOR	4.7MF 20% 25V			C 550	NCB21HK-103X	C CAPACITOR		
	C 170	QEKJ1EM-475Z	E CAPACITOR	4.7MF 20% 25V			C 551	NCB21HK-272X	C CAPACITOR		
	C 171	QEKJ1HM-105Z	E CAPACITOR	1.0MF 20% 50V			C 552	NCB21HK-103X	C CAPACITOR		
	C 172	QEKJ1HM-105Z	E CAPACITOR	1.0MF 20% 50V			C 553	QERF0JM-107Z	E CAPACITOR	100MF 20% 6.3V	
	C 174	NCB21HK-822X	C CAPACITOR				C 554	NCB21HK-103X	C CAPACITOR		
	C 175	NCB21CK-154X	C CAPACITOR				C 555	NCB21HK-333X	C CAPACITOR		
	C 176	NCB21CK-224X	C CAPACITOR				C 556	NCB21HK-332X	C CAPACITOR		
	C 177	NCB21HK-333X	C CAPACITOR				C 557	NCS21HJ-561X	C CAPACITOR		
	C 178	NCB21HK-562X	C CAPACITOR				C 558	QERF0JM-107Z	E CAPACITOR	100MF 20% 6.3V	
	C 179	QEKJ1EM-475Z	E CAPACITOR	4.7MF 20% 25V			C 559	NCB21EK-473X	C CAPACITOR		
	C 180	QEKJ1EM-475Z	E CAPACITOR	4.7MF 20% 25V			C 560	NCB21EK-473X	C CAPACITOR		

■ Electrical parts list (Main board)

Block No. 01

△	Item	Parts number	Parts name	Remarks	Area	△	Item	Parts number	Parts name	Remarks	Area
	C 561	NCB21EK-473X	C CAPACITOR				C 971	NCB21EK-104X	C CAPACITOR		
	C 562	NCB21EK-473X	C CAPACITOR				CN501	QGB2027M1-26S	CONNECTOR		
	C 563	QEKJ0JM-107Z	E CAPACITOR	100MF 20% 6.3V			CN701	QNZ0007-002	CAR CONNECTOR		
	C 564	NCB21HK-103X	C CAPACITOR				CN901	QNZ0112-001	CAR CONNECTOR		
	C 565	NCB21HK-103X	C CAPACITOR				D 1	1SS133-T1	SI DIODE		
	C 566	NDC21HJ-100X	C CAPACITOR				D 2	1SS133-T1	SI DIODE		
	C 567	NDC21HJ-100X	C CAPACITOR				D 3	1SS133-T1	SI DIODE		
	C 568	NCB21HK-103X	C CAPACITOR				D 4	MA152WK-X	SI DIODE		
	C 569	QEKJ0JM-107Z	E CAPACITOR	100MF 20% 6.3V			D 241	MA152WK-X	SI DIODE		
	C 570	NCS21HJ-101X	C CAPACITOR				D 242	1SS133-T1	SI DIODE		
	C 571	QEKJ0JM-107Z	E CAPACITOR	100MF 20% 6.3V			D 243	1SS133-T1	SI DIODE		
	C 572	QEKJ0JM-107Z	E CAPACITOR	100MF 20% 6.3V			D 341	MA152WA-X	DIODE		
	C 573	NCB21HK-103X	C CAPACITOR				D 501	DSK10C-T1	DIODE		
	C 581	NCS21HJ-821X	C CAPACITOR				D 701	MA3062/H-X	ZENER DIODE		
	C 582	QEKJ1EM-475Z	E CAPACITOR	4.7MF 20% 25V			D 702	MA3062/H-X	ZENER DIODE		
	C 583	QEKJ0JM-476Z	E CAPACITOR	47MF 20% 6.3V			D 703	MA3062/H-X	ZENER DIODE		
	C 584	NCS21HJ-121X	C CAPACITOR				D 704	MA3056/M-X	ZENER DIODE		
	C 591	NCS21HJ-821X	C CAPACITOR				D 705	MA3056/M-X	ZENER DIODE		
	C 592	QEKJ1EM-475Z	E CAPACITOR	4.7MF 20% 25V			D 706	MA3056/M-X	ZENER DIODE		
	C 593	QEKJ0JM-476Z	E CAPACITOR	47MF 20% 6.3V			D 707	MA3056/M-X	ZENER DIODE		
	C 594	NCS21HJ-121X	C CAPACITOR				D 708	MA3056/M-X	ZENER DIODE		
	C 595	QEKJ1AM-107Z	E CAPACITOR	100MF 20% 10V			D 710	1SS133-T1	SI DIODE		
	C 596	NCB21HK-103X	C CAPACITOR				D 781	1SS133-T1	SI DIODE		
	C 701	NDC21HJ-220X	C CAPACITOR				D 782	1SS133-T1	SI DIODE		
	C 702	NDC21HJ-270X	C CAPACITOR				D 784	MA3110/M-X	ZENER DIODE		
	C 703	NDC21HJ-270X	C CAPACITOR				D 891	MA152WA-X	DIODE		
	C 704	NDC21HJ-8R0X	C CAPACITOR				D 901	1N5401-TU-15	DIODE		
	C 705	NCB21EK-473X	C CAPACITOR				D 902	MA152WA-X	DIODE		
	C 706	NCB21EK-473X	C CAPACITOR				D 971	CRS03-W	SB DIODE		
	C 707	NCB21EK-473X	C CAPACITOR				D 972	CRS03-W	SB DIODE		
	C 708	NCB21EK-473X	C CAPACITOR				IC 31	TB2118F-X	IC		
	C 709	NCB21HK-103X	C CAPACITOR				IC 71	SAA6579T-X	IC		
	C 710	QEKJ0JM-476Z	E CAPACITOR	47MF 20% 6.3V			IC161	TEA6320T-X	IC		
	C 711	QERF1AM-107Z	E CAPACITOR	100MF 20% 10V			IC301	LA4743B	IC		
	C 712	NCB21HK-103X	C CAPACITOR				IC501	LA6567H-X	IC		
	C 713	NCB21HK-103X	C CAPACITOR				IC521	TA2109F-X	IC		
	C 716	NCB21EK-104X	C CAPACITOR				IC541	TC9462F	IC		
	C 717	NCB21EK-104X	C CAPACITOR				IC581	NJM4565M-WE	IC		
	C 771	NCB21EK-473X	C CAPACITOR				IC701	UPD784215AGC126	IC		
	C 781	QEKJ0JM-476Z	E CAPACITOR	47MF 20% 6.3V			IC702	IC-PST600M/G-W	IC		
	C 782	NCB21EK-823X	C CAPACITOR				IC771	M24C16-WMN6-X	IC		
	C 784	QEKJ1CM-107Z	E CAPACITOR	100MF 20% 16V			IC901	BA4905-V3	IC		
	C 891	NCB21EK-104X	C CAPACITOR				J 1	QNZ0009-001	CAR ANT JACK		
	C 901	QEZ0338-228	E CAPACITOR	2200MF			J 321	QNN0170-001	PIN JACK (REEL)		
	C 902	QERF1HM-225Z	E CAPACITOR	2.2MF 20% 50V			L 1	QQL244J-4R7Z	INDUCTOR		
	C 903	QERF1CM-476Z	E CAPACITOR	47MF 20% 16V			L 541	QQL244J-4R7Z	INDUCTOR		
	C 904	QERF1CM-106Z	E CAPACITOR	10MF 20% 16V			L 542	QQL244J-4R7Z	INDUCTOR		
	C 905	QERF1CM-226Z	E CAPACITOR	22MF 20% 16V			L 701	QQL244K-4R7Z	INDUCTOR		
	C 906	NCB21HK-103X	C CAPACITOR				L 901	QQR0703-001	CHOKE COIL		
	C 907	QERF1AM-227Z	E CAPACITOR	220MF 20% 10V			PL701	QLL0033-001	LAMP		
	C 908	QERF1AM-227Z	E CAPACITOR	220MF 20% 10V			Q 1	2SD601A/R-X	TRANSISTOR		
	C 909	QERF1AM-227Z	E CAPACITOR	220MF 20% 10V			Q 2	2SD601A/R-X	TRANSISTOR		
	C 910	QERF1CM-476Z	E CAPACITOR	47MF 20% 16V			Q 3	UN2111-X	TRANSISTOR		
	C 911	NCB21CK-104X	C CAPACITOR				Q 4	UN2111-X	TRANSISTOR		
	C 912	NCB21HK-103X	C CAPACITOR				Q 5	2SB709A/R-X	TRANSISTOR		
	C 961	NCS21HJ-101X	C CAPACITOR				Q 6	2SB815/7/-X	TRANSISTOR		
	C 962	NCS21HJ-101X	C CAPACITOR				Q 7	UN2211-X	TRANSISTOR		
	C 963	NCS21HJ-101X	C CAPACITOR				Q 9	UN2111-X	TRANSISTOR		
	C 964	NCS21HJ-101X	C CAPACITOR				Q 31	UN2211-X	TRANSISTOR		
	C 965	NCS21HJ-101X	C CAPACITOR				Q 51	2SC2412K/R/-X	TRANSISTOR		
	C 966	NCS21HJ-101X	C CAPACITOR				Q 52	2SC2412K/R/-X	TRANSISTOR		
	C 967	NCS21HJ-101X	C CAPACITOR				Q 53	UN2211-X	TRANSISTOR		
	C 968	NCS21HJ-101X	C CAPACITOR				Q 81	2SD601A/R-X	TRANSISTOR		

■ Electrical parts list (Main board)

Block No. 01

△	Item	Parts number	Parts name	Remarks	Area	△	Item	Parts number	Parts name	Remarks	Area
	Q 91	2SD601A/R/-X	TRANSISTOR				R 174	NRSA02J-473X	MG RESISTOR		
	Q 241	2SD601A/R/-X	TRANSISTOR				R 175	NRSA02J-473X	MG RESISTOR		
	Q 341	2SD1048/6-7/-X	TRANSISTOR				R 181	NRSA02J-271X	MG RESISTOR		
	Q 351	2SD1048/6-7/-X	TRANSISTOR				R 182	NRSA02J-271X	MG RESISTOR		
	Q 501	2SB1322/RS/-T	TRANSISTOR				R 241	NRSA02J-473X	MG RESISTOR		
	Q 521	2SB1322/RS/-T	TRANSISTOR				R 242	NRSA02J-223X	MG RESISTOR		
	Q 781	UN2111-X	TRANSISTOR				R 243	NRSA02J-184X	MG RESISTOR		
	Q 782	UN2211-X	TRANSISTOR				R 244	NRSA02J-123X	MG RESISTOR		
	Q 784	UN2111-X	TRANSISTOR				R 245	NRSA02J-101X	MG RESISTOR		
	Q 891	UN2211-X	TRANSISTOR				R 246	NRSA02J-102X	MG RESISTOR		
	Q 902	2SB709A/R/-X	TRANSISTOR				R 247	NRSA02J-274X	MG RESISTOR		
	Q 903	UN2213-X	TRANSISTOR				R 301	NRSA02J-273X	MG RESISTOR		
	Q 976	UN2211-X	TRANSISTOR				R 302	NRSA02J-273X	MG RESISTOR		
	Q 977	2SA1037AK/RS/-X	SI.TRANSISTOR				R 311	NRSA02J-273X	MG RESISTOR		
	R 1	NRS181J-8R2X	MG RESISTOR				R 312	NRSA02J-273X	MG RESISTOR		
	R 2	NRSA02J-473X	MG RESISTOR				R 341	NRSA02J-222X	MG RESISTOR		
	R 3	NRSA02J-472X	MG RESISTOR				R 342	NRSA02J-821X	MG RESISTOR		
	R 4	NRSA02J-332X	MG RESISTOR				R 343	NRSA02J-101X	MG RESISTOR		
	R 5	NRSA02J-473X	MG RESISTOR				R 351	NRSA02J-222X	MG RESISTOR		
	R 6	NRSA02J-473X	MG RESISTOR				R 352	NRSA02J-821X	MG RESISTOR		
	R 7	NRSA02J-472X	MG RESISTOR				R 353	NRSA02J-101X	MG RESISTOR		
	R 9	NRSA02J-0R0X	MG RESISTOR				R 501	NRSA02J-822X	MG RESISTOR		
	R 31	NRS181J-100X	MG RESISTOR				R 502	NRSA02J-562X	MG RESISTOR		
	R 32	NRSA02J-622X	MG RESISTOR				R 503	NRSA02J-242X	MG RESISTOR		
	R 33	NRSA02J-473X	MG RESISTOR				R 504	NRSA02J-203X	MG RESISTOR		
	R 34	NRSA02J-222X	MG RESISTOR				R 505	NRS181J-0R0X	MG RESISTOR		
	R 35	NRSA02J-222X	MG RESISTOR				R 506	NRS181J-822X	MG RESISTOR		
	R 36	NRSA02J-222X	MG RESISTOR				R 507	NRS181J-203X	MG RESISTOR		
	R 37	NRSA02J-222X	MG RESISTOR				R 521	NRSA02J-473X	MG RESISTOR		
	R 38	NRSA02J-101X	MG RESISTOR				R 522	NRSA02J-473X	MG RESISTOR		
	R 39	NRSA02J-0R0X	MG RESISTOR				R 523	NRSA02J-473X	MG RESISTOR		
	R 40	NRSA02J-393X	MG RESISTOR				R 524	NRSA02J-473X	MG RESISTOR		
	R 41	NRSA02J-103X	MG RESISTOR				R 525	NRSA02J-104X	MG RESISTOR		
	R 42	NRS181J-100X	MG RESISTOR				R 526	NRSA02J-104X	MG RESISTOR		
	R 43	NRSA02J-471X	MG RESISTOR				R 527	NRSA02J-220X	MG RESISTOR		
	R 44	NRSA02J-221X	MG RESISTOR				R 528	NRSA02J-220X	MG RESISTOR		
	R 51	NRSA02J-223X	MG RESISTOR				R 529	NRSA02J-273X	MG RESISTOR		
	R 52	NRSA02J-473X	MG RESISTOR				R 530	NRSA02J-473X	MG RESISTOR		
	R 53	NRSA02J-473X	MG RESISTOR				R 531	NRSA02J-222X	MG RESISTOR		
	R 54	NRSA02J-103X	MG RESISTOR				R 532	NRSA02J-153X	MG RESISTOR		
	R 55	NRSA02J-222X	MG RESISTOR				R 533	NRSA02J-682X	MG RESISTOR		
	R 56	NRSA02J-103X	MG RESISTOR				R 534	NRSA02J-473X	MG RESISTOR		
	R 57	NRSA02J-153X	MG RESISTOR				R 541	NRSA02J-472X	MG RESISTOR		
	R 58	NRSA02J-471X	MG RESISTOR				R 542	NRSA02J-472X	MG RESISTOR		
	R 59	NRSA02J-473X	MG RESISTOR				R 543	NRSA02J-472X	MG RESISTOR		
	R 71	NRSA02J-222X	MG RESISTOR				R 544	NRSA02J-472X	MG RESISTOR		
	R 72	NRSA02J-222X	MG RESISTOR				R 545	NRSA02J-103X	MG RESISTOR		
	R 73	NRSA02J-222X	MG RESISTOR				R 546	NRSA02J-103X	MG RESISTOR		
	R 74	NRSA02J-101X	MG RESISTOR				R 547	NRSA02J-473X	MG RESISTOR		
	R 81	NRSA02J-392X	MG RESISTOR				R 548	NRSA02J-683X	MG RESISTOR		
	R 82	NRSA02J-273X	MG RESISTOR				R 549	NRSA02J-474X	MG RESISTOR		
	R 83	NRSA02J-472X	MG RESISTOR				R 550	NRSA02J-333X	MG RESISTOR		
	R 91	NRSA02J-392X	MG RESISTOR				R 551	NRSA02J-103X	MG RESISTOR		
	R 92	NRSA02J-273X	MG RESISTOR				R 552	NRSA02J-152X	MG RESISTOR		
	R 93	NRSA02J-472X	MG RESISTOR				R 553	NRSA02J-153X	MG RESISTOR		
	R 161	NRSA02J-334X	MG RESISTOR				R 554	NRSA02J-332X	MG RESISTOR		
	R 162	NRSA02J-223X	MG RESISTOR				R 555	NRSA02J-332X	MG RESISTOR		
	R 163	NRSA02J-222X	MG RESISTOR				R 556	NRSA02J-682X	MG RESISTOR		
	R 164	NRSA02J-473X	MG RESISTOR				R 557	NRSA02J-152X	MG RESISTOR		
	R 165	NRSA02J-473X	MG RESISTOR				R 558	NRS181J-101X	MG RESISTOR		
	R 171	NRSA02J-334X	MG RESISTOR				R 581	NRSA02J-243X	MG RESISTOR		
	R 172	NRSA02J-223X	MG RESISTOR				R 582	NRSA02J-223X	MG RESISTOR		
	R 173	NRSA02J-222X	MG RESISTOR				R 583	NRSA02J-223X	MG RESISTOR		

■ Electrical parts list (Main board)

Block No. 01

△	Item	Parts number	Parts name	Remarks	Area
	R 584	NRSA02J-333X	MG RESISTOR		
	R 585	NRSA02J-123X	MG RESISTOR		
	R 586	NRSA02J-152X	MG RESISTOR		
	R 591	NRSA02J-243X	MG RESISTOR		
	R 592	NRSA02J-223X	MG RESISTOR		
	R 593	NRSA02J-223X	MG RESISTOR		
	R 594	NRSA02J-333X	MG RESISTOR		
	R 595	NRSA02J-123X	MG RESISTOR		
	R 596	NRSA02J-152X	MG RESISTOR		
	R 701	NRSA02J-473X	MG RESISTOR		
	R 702	NRSA02J-0R0X	MG RESISTOR		
	R 703	NRSA02J-0R0X	MG RESISTOR		
	R 704	NRSA02J-473X	MG RESISTOR		
	R 705	NRSA02J-473X	MG RESISTOR		
	R 706	NRSA02J-473X	MG RESISTOR		
	R 707	NRSA02J-473X	MG RESISTOR		
	R 708	NRSA02J-473X	MG RESISTOR		
	R 709	NRSA02J-473X	MG RESISTOR		
	R 710	NRSA02J-0R0X	MG RESISTOR		
	R 711	NRSA02J-0R0X	MG RESISTOR		
	R 712	NRSA02J-0R0X	MG RESISTOR		
	R 713	NRSA02J-0R0X	MG RESISTOR		
	R 714	NRSA02J-473X	MG RESISTOR		
	R 715	NRSA02J-0R0X	MG RESISTOR		
	R 716	NRSA02J-0R0X	MG RESISTOR		
	R 719	NRSA02J-0R0X	MG RESISTOR		
	R 720	NRSA02J-122X	MG RESISTOR		
	R 721	NRSA02J-102X	MG RESISTOR		
	R 722	NRSA02J-103X	MG RESISTOR		
	R 723	NRSA02J-103X	MG RESISTOR		
	R 724	NRSA02J-0R0X	MG RESISTOR		
	R 725	NRSA02J-103X	MG RESISTOR		
	R 726	NRSA02J-103X	MG RESISTOR		
	R 728	NRSA02J-103X	MG RESISTOR		
	R 729	NRSA02J-473X	MG RESISTOR		
	R 730	NRSA02J-103X	MG RESISTOR		
	R 731	NRSA02J-473X	MG RESISTOR		
	R 732	NRSA02J-103X	MG RESISTOR		
	R 734	NRSA02J-222X	MG RESISTOR		
	R 735	NRSA02J-222X	MG RESISTOR		
	R 736	NRSA02J-222X	MG RESISTOR		
	R 737	NRSA02J-0R0X	MG RESISTOR		
	R 738	NRSA02J-472X	MG RESISTOR		
	R 740	NRSA02J-472X	MG RESISTOR		
	R 741	NRSA02J-103X	MG RESISTOR		
	R 742	NRSA02J-103X	MG RESISTOR		
	R 743	NRSA02J-103X	MG RESISTOR		
	R 744	NRSA02J-103X	MG RESISTOR		
	R 745	NRSA02J-103X	MG RESISTOR		
	R 746	NRSA02J-103X	MG RESISTOR		
	R 747	NRSA02J-472X	MG RESISTOR		
	R 748	NRSA02J-472X	MG RESISTOR		
	R 749	NRSA02J-472X	MG RESISTOR		
	R 750	NRSA02J-103X	MG RESISTOR		
	R 752	NRSA02J-473X	MG RESISTOR		
	R 753	NRSA02J-473X	MG RESISTOR		
	R 754	NRSA02J-821X	MG RESISTOR		
	R 755	NRSA02J-106X	MG RESISTOR		
	R 756	NRSA02J-473X	MG RESISTOR		
	R 757	NRSA02J-222X	MG RESISTOR		
	R 758	NRSA02J-473X	MG RESISTOR		
	R 760	NRSA02J-473X	MG RESISTOR		
	R 763	NRSA02J-102X	MG RESISTOR		

△	Item	Parts number	Parts name	Remarks	Area
	R 771	NRSA02J-271X	MG RESISTOR		
	R 772	NRSA02J-271X	MG RESISTOR		
	R 783	NRSA02J-472X	MG RESISTOR		
	R 784	NRSA02J-473X	MG RESISTOR		
	R 801	NRSA02J-473X	MG RESISTOR		
	R 802	NRSA02J-473X	MG RESISTOR		
	R 804	NRSA02J-223X	MG RESISTOR		
	R 807	NRSA02J-104X	MG RESISTOR		
	R 809	NRSA02J-223X	MG RESISTOR		
	R 872	NRSA02J-473X	MG RESISTOR		
	R 891	NRSA02J-102X	MG RESISTOR		
	R 892	NRSA02J-473X	MG RESISTOR		
	R 901	QRE142J-102X	C RESISTOR	1.0K 5% 1/4W	
	R 902	NRSA02J-912X	MG RESISTOR		
	R 903	NRSA02J-472X	MG RESISTOR		
	R 907	NRSA02J-473X	MG RESISTOR		
	R 908	NRSA02J-222X	MG RESISTOR		
	R 971	NRS181J-222X	MG RESISTOR		
	R 972	NRS181J-222X	MG RESISTOR		
	R 976	NRSA02J-273X	MG RESISTOR		
	R 977	NRSA02J-123X	MG RESISTOR		
	S 701	QSW0451-001	DETECT SW	DETACH	
	S 702	QSW0451-001	DETECT SW	OPEN	
	TU 1	QAU0156-002	TUNER		
	X 31	QAX0616-001Z	CRYSTAL		
	X 71	QAX0263-001Z	CRYSTAL		
	X 541	QAX0413-001Z	CRYSTAL		
	X 701	QAX0617-001Z	CRYSTAL		
	X 702	QAX0401-001	CRYSTAL		

■ Electrical parts list (Switch board)

Block No. 02

△	Item	Parts number	Parts name	Remarks	Area
	C 601	NBE20JM-475X	TS E CAPACITOR		
	C 602	NCB21HK-103X	C CAPACITOR		
	C 603	NCS21HJ-221X	C CAPACITOR		
	C 604	NCB21CK-224X	C CAPACITOR		
	C 605	NCB21CK-224X	C CAPACITOR		
	CN601	QNZ0006-001	CAR CONNECTOR		
	D 601	SML-310LT/MN/-X	LED		
	D 602	SML-310VT/JK/-X	LED		
	D 603	SML-310VT/JK/-X	LED		
	D 604	SML-310VT/JK/-X	LED		
	D 605	SML-310VT/JK/-X	LED		
	D 606	SML-310VT/JK/-X	LED		
	D 607	SML-310VT/JK/-X	LED		
	D 608	SML-310VT/JK/-X	LED		
	D 609	SML-310VT/JK/-X	LED		
	D 610	SML-310VT/JK/-X	LED		
	D 611	SML-310VT/JK/-X	LED		
	D 612	SML-310VT/JK/-X	LED		
	D 613	SML-310VT/JK/-X	LED		
	D 614	SML-310VT/JK/-X	LED		
	D 615	SML-310VT/JK/-X	LED		
	D 616	SML-310VT/JK/-X	LED		
	D 617	SML-310VT/JK/-X	LED		
	D 618	SML-310VT/JK/-X	LED		
	D 619	SML-310VT/JK/-X	LED		
	D 620	SML-310VT/JK/-X	LED		
	D 621	SML-310VT/JK/-X	LED		
	D 622	SML-310VT/JK/-X	LED		
	D 623	SML-310VT/JK/-X	LED		
	D 624	LNJ308G81/1-3/X	LED		
	D 625	SML-310VT/JK/-X	LED		
	D 626	SML-310VT/JK/-X	LED		
	D 627	SML-310VT/JK/-X	LED		
	D 641	NSPW310BS/BRS/	LED		
	D 642	NSPW310BS/BRS/	LED		
	D 643	NSPW310BS/BRS/	LED		
	D 651	MA3051/M/-X	ZENER DIODE		
	D 652	MA152WK-X	SI DIODE		
	D 653	MA152WA-X	DIODE		
	D 654	MA152WK-X	SI DIODE		
	D 655	MA152WA-X	DIODE		
	D 656	MA152WK-X	SI DIODE		
	EN601	QSW0863-001	JOG SHUTTLE SW		
	IC601	LC75873NW	IC		
	R 601	NRSA02J-821X	MG RESISTOR		
	R 602	NRSA02J-821X	MG RESISTOR		
	R 603	NRSA02J-122X	MG RESISTOR		
	R 604	NRSA02J-182X	MG RESISTOR		
	R 605	NRSA02J-272X	MG RESISTOR		
	R 606	NRS181J-821X	MG RESISTOR		
	R 607	NRSA02J-821X	MG RESISTOR		
	R 608	NRSA02J-122X	MG RESISTOR		
	R 609	NRSA02J-182X	MG RESISTOR		
	R 610	NRSA02J-272X	MG RESISTOR		
	R 611	NRSA02J-392X	MG RESISTOR		
	R 612	NRSA02J-821X	MG RESISTOR		
	R 613	NRSA02J-821X	MG RESISTOR		
	R 614	NRSA02J-122X	MG RESISTOR		
	R 615	NRSA02J-182X	MG RESISTOR		
	R 616	NRSA02J-272X	MG RESISTOR		
	R 620	NRS181J-561X	MG RESISTOR		
	R 621	NRS181J-271X	MG RESISTOR		
	R 622	NRS181J-271X	MG RESISTOR		

△	Item	Parts number	Parts name	Remarks	Area
	R 623	NRS181J-271X	MG RESISTOR		
	R 624	NRS181J-271X	MG RESISTOR		
	R 625	NRS181J-431X	MG RESISTOR		
	R 626	NRS181J-271X	MG RESISTOR		
	R 627	NRS181J-271X	MG RESISTOR		
	R 628	NRS181J-561X	MG RESISTOR		
	R 629	NRS181J-561X	MG RESISTOR		
	R 630	NRS181J-271X	MG RESISTOR		
	R 641	NRS181J-102X	MG RESISTOR		
	R 642	NRS181J-102X	MG RESISTOR		
	R 643	NRS181J-102X	MG RESISTOR		
	R 644	NRS181J-0R0X	MG RESISTOR		
	R 650	NRSA02J-101X	MG RESISTOR		
	R 651	NRSA02J-473X	MG RESISTOR		
	R 652	NRSA02J-473X	MG RESISTOR		
	R 653	NRS181J-102X	MG RESISTOR		
	R 654	NRSA02J-221X	MG RESISTOR		
	R 655	NRSA02J-394X	MG RESISTOR		
	R 656	NRSA02J-334X	MG RESISTOR		
	R 661	NRSA02J-332X	MG RESISTOR		
	R 662	NRSA02J-332X	MG RESISTOR		
	R 663	NRSA02J-332X	MG RESISTOR		
	R 669	NRSA02J-103X	MG RESISTOR		
	R 670	NRSA02J-103X	MG RESISTOR		
	R 671	NRSA02J-103X	MG RESISTOR		
	S 601	NSW0066-001X	TACT SWITCH		
	S 602	NSW0066-001X	TACT SWITCH		
	S 603	NSW0066-001X	TACT SWITCH		
	S 604	NSW0066-001X	TACT SWITCH		
	S 605	NSW0066-001X	TACT SWITCH		
	S 606	NSW0066-001X	TACT SWITCH		
	S 607	NSW0066-001X	TACT SWITCH		
	S 608	NSW0066-001X	TACT SWITCH		
	S 609	NSW0066-001X	TACT SWITCH		
	S 610	NSW0066-001X	TACT SWITCH		
	S 611	NSW0066-001X	TACT SWITCH		
	S 612	NSW0066-001X	TACT SWITCH		
	S 613	NSW0066-001X	TACT SWITCH		
	S 614	NSW0066-001X	TACT SWITCH		
	S 615	NSW0066-001X	TACT SWITCH		
	S 616	NSW0066-001X	TACT SWITCH		
	S 617	NSW0066-001X	TACT SWITCH		
	S 618	NSW0066-001X	TACT SWITCH		
	S 619	NSW0066-001X	TACT SWITCH		

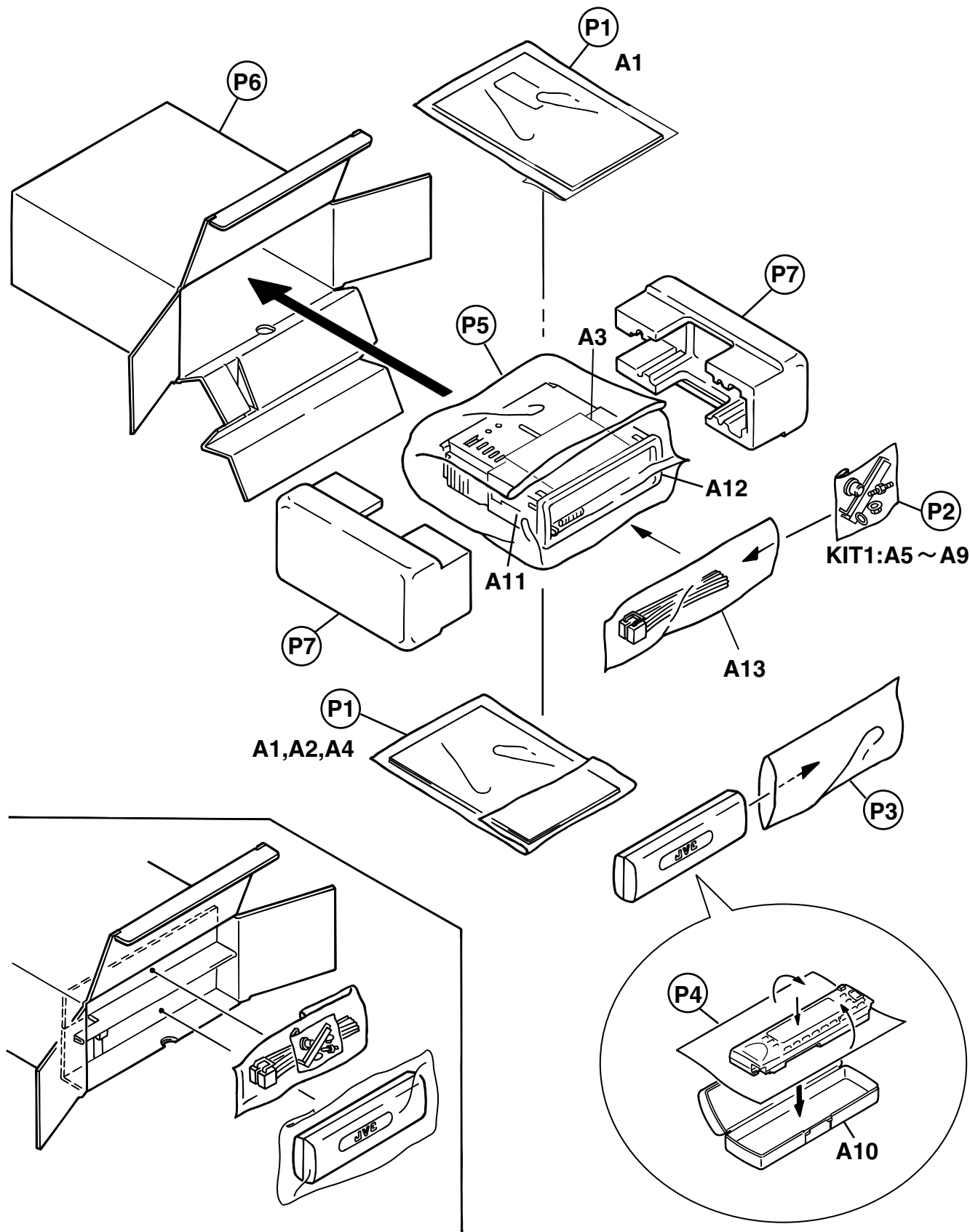
Packing materials and accessories parts list

Block No.

M	3	M	M
---	---	---	---

Block No.

M	4	M	M
---	---	---	---



■ Parts list (Packing)

Block No. M3MM

△	Item	Parts number	Parts name	Q'ty	Description	Area
	P 1	FSPG4002-001	POLY BAG	2	FOR INST.BOOK	
	P 2	QPA00801205	POLY BAG	1	FOR SCREW KIT	
	P 3	QPA01003003	POLY BAG	1	FOR HARD CASE	
	P 4	FSYH4036-068	SHEET	1		
	P 5	QPC03004315P	POLY BAG	1	FOR SET	
	P 6	GE30123-034A	PACKING CASE	1		
	P 7	GE10008-001A	PACKING CUSHION	2		

■ Parts list (Accessories)

Block No. M4MM

△	Item	Parts number	Parts name	Q'ty	Description	Area
	A 1	GET0007-001A	INST.BOOK	1	ENG, FRE, GER, DUT	
		GET0007-002A	INST.BOOK	1	FIN, ITA, SPA, SWE	
	A 2	GET0007-003A	INSTALL MANUAL	1	ENG, GER, FRE	
		GET0007-004A	INSTALL MANUAL	1	DUT, SPA, ITA	
		GET0007-005A	INSTALL MANUAL	1	SWE, FIN	
	A 3	LV40978-001A	CAUTION SHEET	1		
	A 4	BT-54013-1	WARRANTY CARD	1		
	A 5	VKZ4027-202	PLUG NUT	1		
	A 6	VKH4871-001SS	MOUNT BOLT	1		
	A 7	VKZ4328-001	LOCK NUT	1		
	A 8	WNS5000Z	WASHER	1		
	A 9	FSKL4010-002	HOOK	2		
	A 10	FSJB3001-30C	HARD CASE	1		
	A 11	FSKM2004-202	MOUNTING SLEEVE	1		
	A 12	FSJD2034-001	TRIM PLATE	1		
	A 13	QAM0175-001	POWER CORD	1		
	KIT 1	KDGS717K-SCREW1	SCREW PARTS KIT	1	A5-A9	